



IW-PL070

Air/Liquid Cooling Pedestal Server Chassis

PREFACE

Thank you for choosing the InWin IW-PL070 Tower. This manual is written for system technicians who are responsible for installation, managing, and repairing this server chassis. This document provides an overview of all the features of the chassis, a list of accessories or other components you may need to finish installation. It also provides instructions on adding and removing components within the InWin IW-PL070 Tower. For the latest version of this manual, you may visit InWin's server website.

SAFETY INFORMATION

To ensure a safe and smooth operation of your InWin IW-PL070 Tower, it is essential that you choose an appropriate location for the system, provide an appropriate operating environment, and supply an adequate amount of power for all components in the system. As you plan for installation, follow the guidelines below to ensure that the system and its environment are safely and appropriately positioned for efficient operation and service. Your system should be installed and serviced only by a qualified technician.

Proper Environment Selection: The system is designed to operate in a typical office environment:

- The location should be clean, dry, and free of airborne particles.
- It should be placed in a well-ventilated room, and away from sources of heat including direct sunlight and radiators.
- It should be kept away from sources of vibration or physical shock.
- The space should be accommodated with a properly grounded wall outlet, and with sufficient space to access the power supply cords.
- The operating environment temperature should be around 0°C to 40°C (32°F to 104°F).

Heed Safety Instructions: Before working with InWin IPC/storage/SMB storage server products, we strongly recommend you use this guide as a reference and follow the safety instructions. The instructions in this manual will help you ensure and maintain compliance with existing product certifications and approvals. Follow the described, regulated components mentioned in this manual. Use of non-UL listing products or other regulators may not comply with product regulations in the region(s) in which the product is sold.

System Power On/Off: The power button DOES NOT totally turn off the system AC power. To remove the power of the system, you must unplug the AC power cord from the outlet or the system's power supply unit(s). Make sure the power cord is unplugged before you open the chassis or add/remove any component.

Hazardous Conditions, Devices and Cables: Hazardous electrical conditions can be present on/in power supply units and their cables. Disconnect the power cord and any other devices attached to the server before opening the case. Failing to follow safety procedures will increase the risk of personal injury or equipment damage.

Electrostatic Discharge (ESD) and ESD Protection: In most cases, ESD may damage disk drives, electronic boards, and other parts. We recommend that you conduct installation only at an ESD free space. If not possible, perform ESD protection protocol by wearing anti-static wrist straps attached to the ground on any unpainted metal surface on your server during operation.

Installing or Removing Jumpers: A jumper is a short length conductor used to close, open, or bypass part of an electronic circuit. Jumpers on InWin backplanes have a small tab on top that you can pick up with your fingertips. Grip the jumper carefully and plug the jumper to cover the jumper pins on the backplane. Once you need to remove the jumper, grip the jumper and carefully pull without squeezing.

CAUTION

To avoid damage and maintain your safety, please read the following terms listed below:

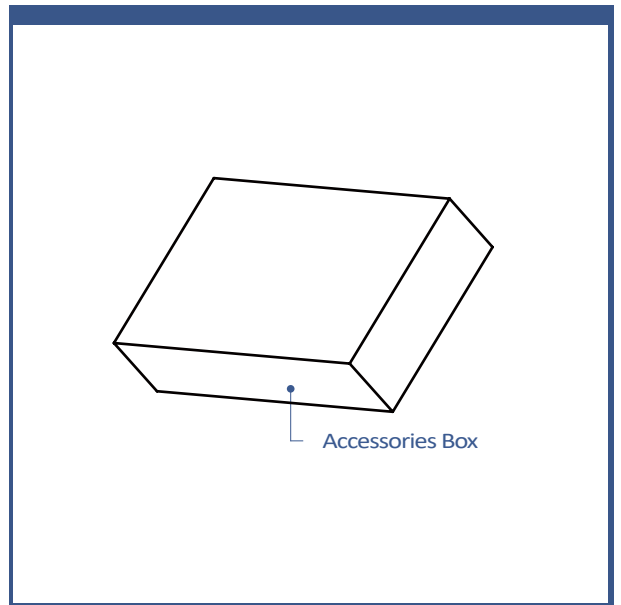
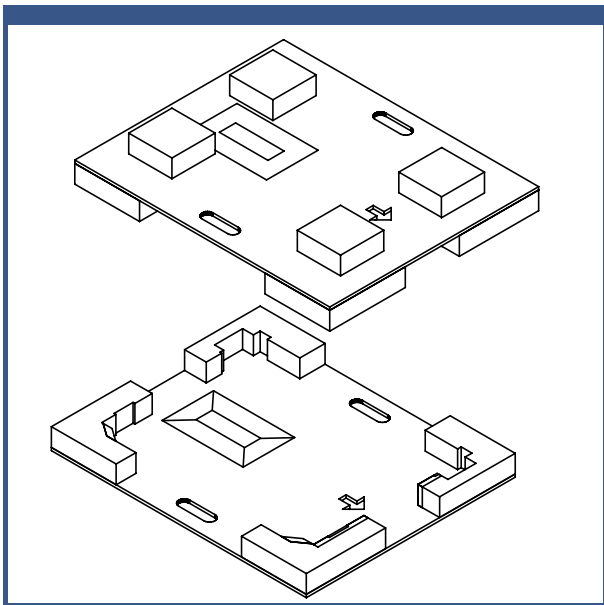
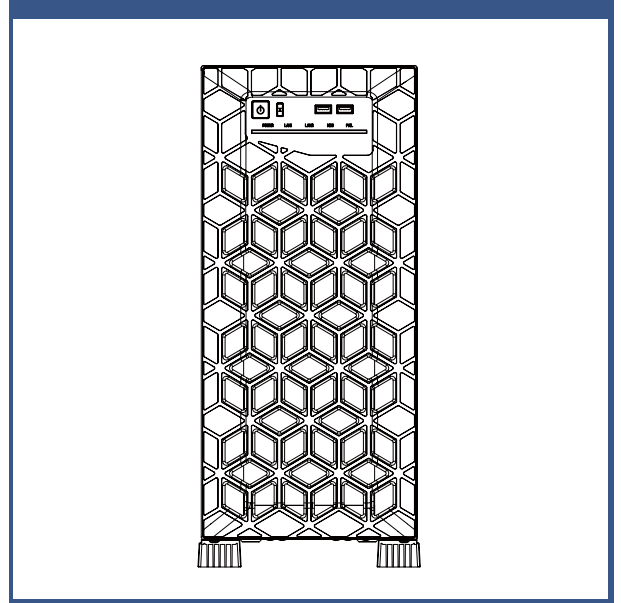
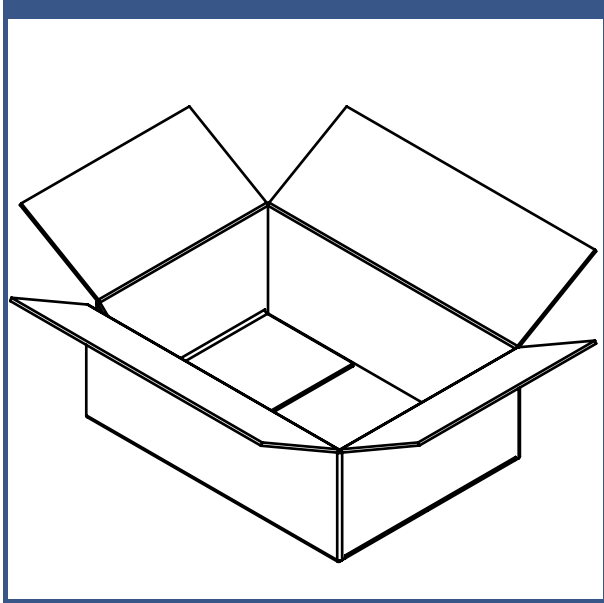
- 1 Do not populate hard drives and turn on the power until the system has stabilized. Make sure hard drives and other components are properly connected before turning on the system.
- 2 Tighten or loosen all screws with a screwdriver.
- 3 Apply the correct screws packed in the accessories box.
- 4 For your safety, please have at least two people lift and install the unit in its designated area.



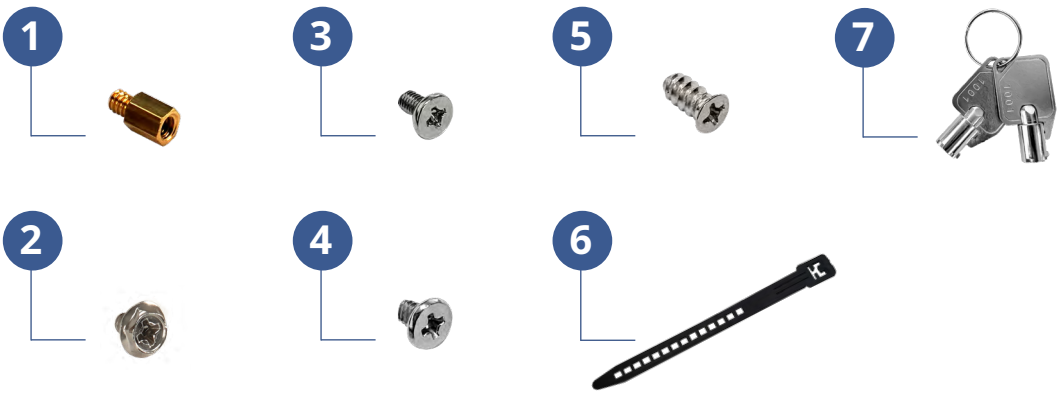
Product Introduction

Box Contents

When you open the IW-PL070 box, the contents should include the following:



 Accessories Box

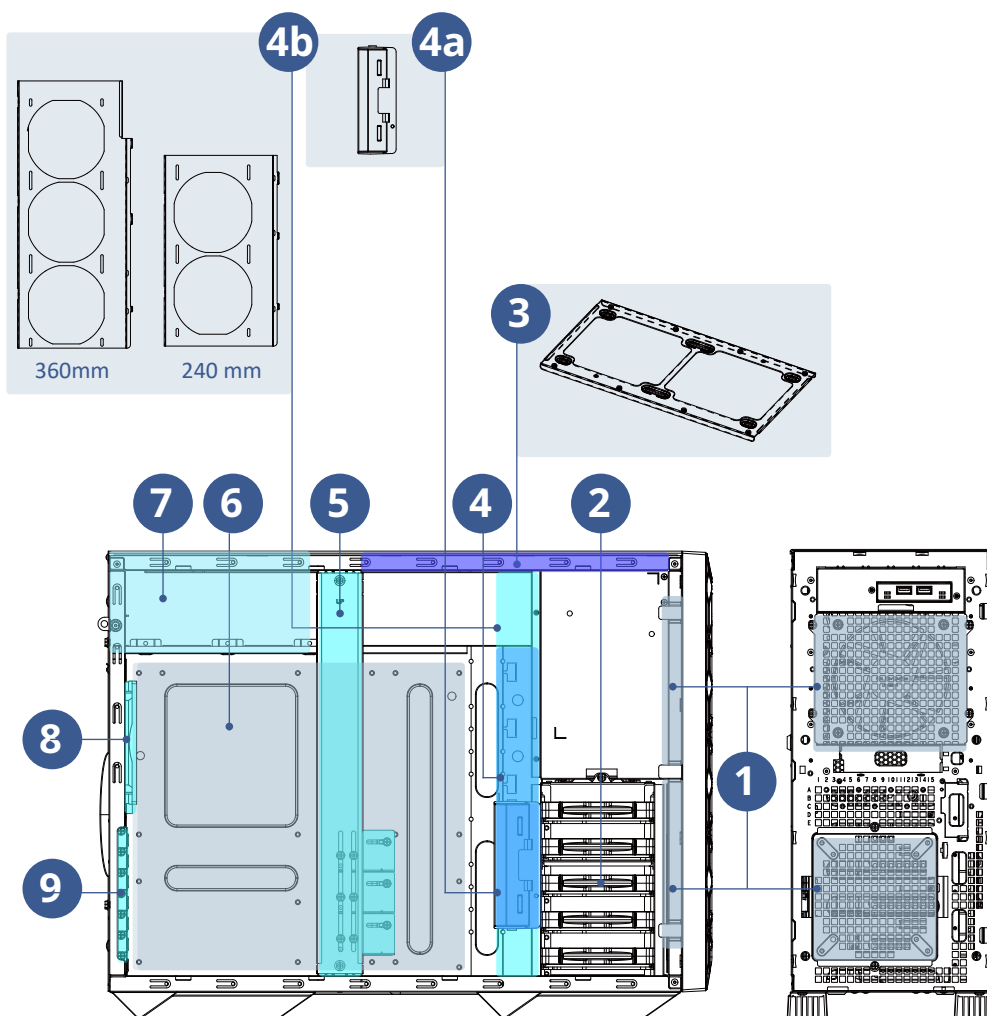


No	Item	No.	Item
1	Motherboard Stand-Offs x 16	5	Optional 120mm Fan Screws x 12
2	Motherboard Screws x 21	6	Cable Ties x 10
3	2.5" HDD Screws x 20	7	Side Panel Keys x 2
4	3.5" HDD Screws x 5		

General Information

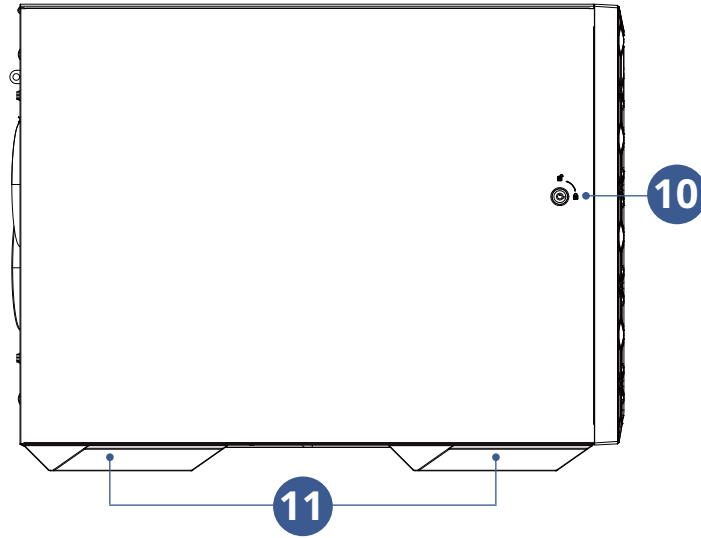
When you open the side cover, it should reflect the diagram's image.

Right side-1



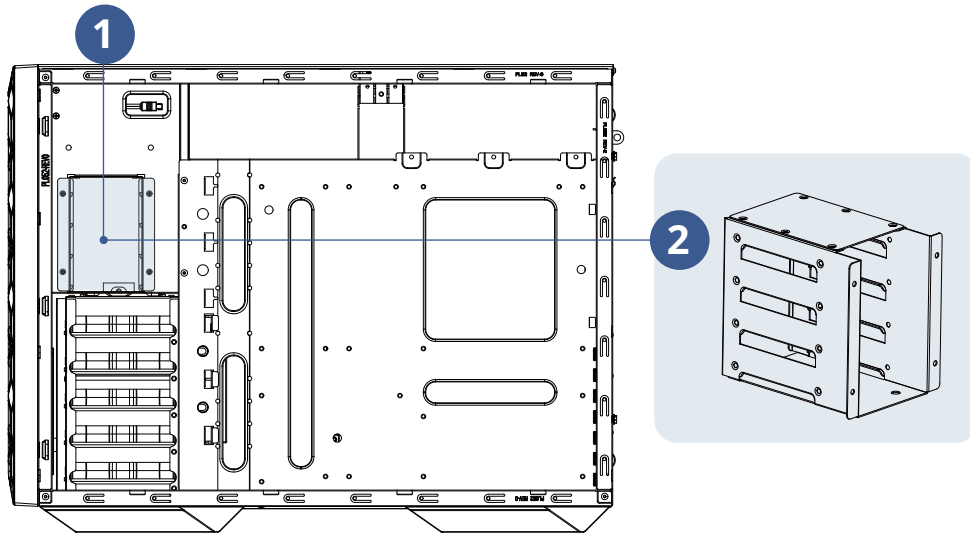
No	Item	No	Item
1	120 x 25mm PWM fans x 2 (one pre-installed on the front upper region)	5	GPU holder
2	2.5"/3.5" HDD bays x 5	6	MB mounting area
3	Built-in 240mm top radiator bracket x 1	7	PSU mounting area
4	Fans or radiator bracket mounting area	8	120 x 25mm PWM rear fan x 1 (pre-installed) Or, 80 x 38mm PWM rear fans x 2 (optional)
4a	120 x 25mm PWM fans x 2 (one pre-installed on the lower, middle fan wall)	9	Full-height PCIe slots x 7
4b	240mm or 360mm radiator bracket (optional)		

Right side-2



No	Item	No	Item
10	Side panel with lock	11	Feet

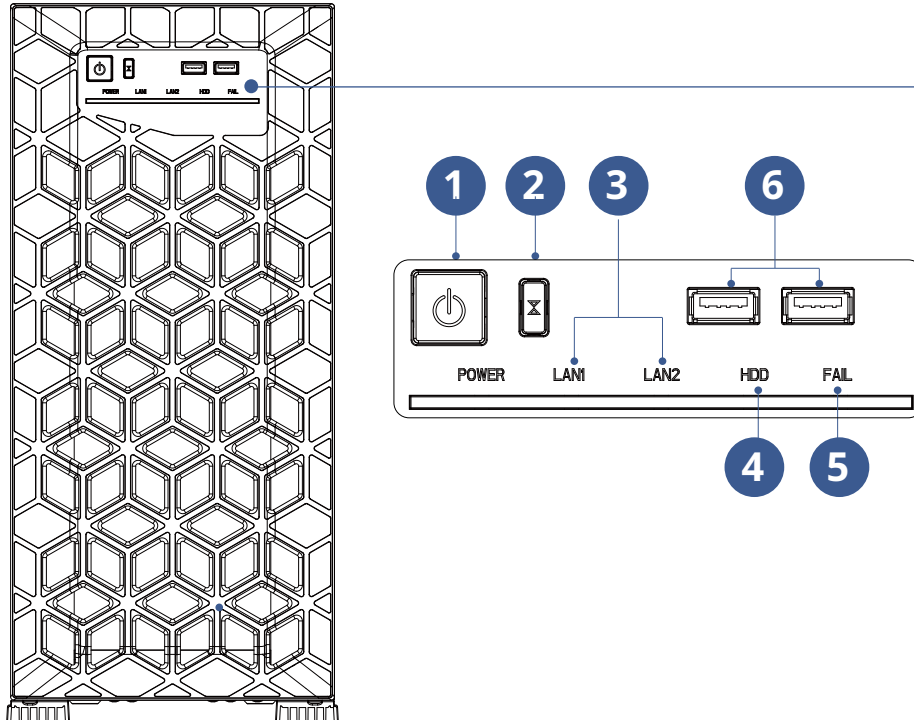
Left side



No	Item	No	Item
1	Dummy Cover	2	Optional 2.5" drive cage: 2.5" drives x 4 (Top: 1 x 9mm, Remaining: 3 x 15mm)

Front Panel Controls and Indicators

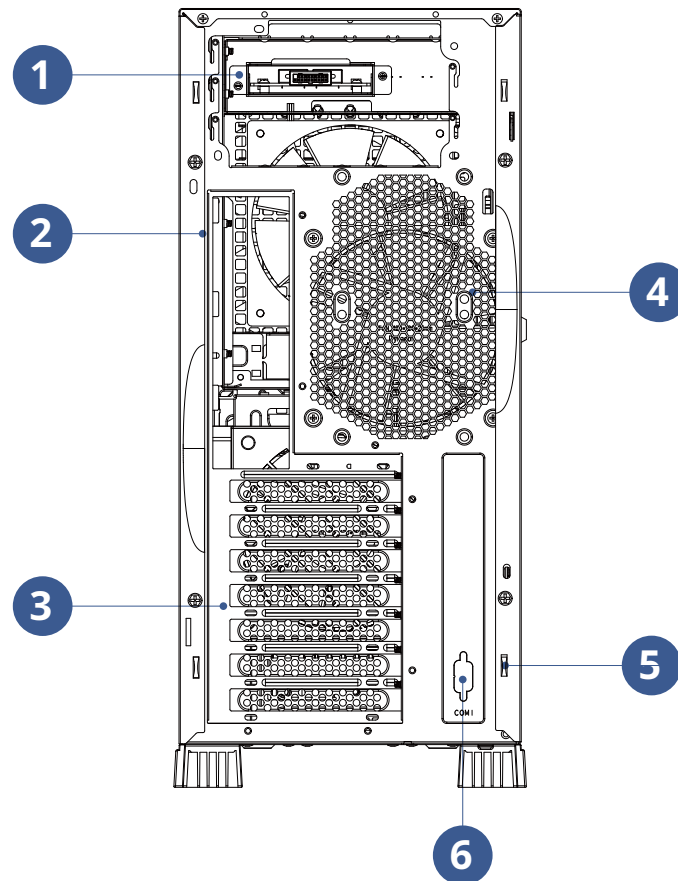
The USB I/O ports and indicators are located on the top of the front plate.



No	Item	Color	Status	Description
1	Power On/Off Button with LED	Blue	Solid on	System is powered on.
		N/A	Off	System is off.
2	System Reset Button	N/A		Press this button to activate system reset.
3	LAN LED (From left to right marked LAN1-LAN2)	Amber	Blinking	Link between system and network.
		N/A	Off	No data transmission or receiving is occurring.
4	Hard Disk LED	Green	Blinking	System HDD accessing.
5	System Failure LED	Red	Solid on	System is faulty.
6	USB 3.0 Ports	USB Ports		

Rear Panel Configuration

The rear panel of IW-PL070 Tower contains the power supply mounting area, rear I/O, 7 PCIe slots, and rear fan location.



No	Item	Description
1	Power supply area	This area is for installing CRPS & PS2 PSUs. Please reference InWin's compatibility list to select compatible models.
2	Rear I/O (depends on M/B specifications)	The I/O shield should come with the motherboard.
3	Full height PCIe slots x 7	The slots support high profile cards. The bracket should be removed before using.
4	Rear fan	One 120 x 25mm PWM fan (pre-installed) or 80 x 38mm PWM fans x 2 (optional) for better system cooling.
5	Security	Supports padlock loop or Kensington lock with & intrusion switch (optional).
6	COM port support	RS-232 Com port for DB-9.

Hardware Installation

■ Please follow the installation steps below to set up your IW-PL070. For a quick installation video, please visit ipc.in-win.com

Fan Installation

The IW-PL070 supports 120 x 25mm PWM fans x 2 in the front and middle sections. Users can install one more optional fan for each section. For the rear section, there is a pre-installed 120 x 25mm PWM fan x 1, and can also support two 80 x 38mm PWM fan (optional).

Liquid CPU Cooler Installation

The top comes with a built-in 240mm radiator bracket, which is compatible with the InWin BR24 AIO liquid cooler (optional), or other 240mm liquid cooling radiator. For the middle section, users can install an optional 240/360mm radiator bracket, which are also compatible with the InWin BR 24/36 AIO liquid coolers(optional), or other 240/360mm liquid cooling radiator.

Power Supply Installation

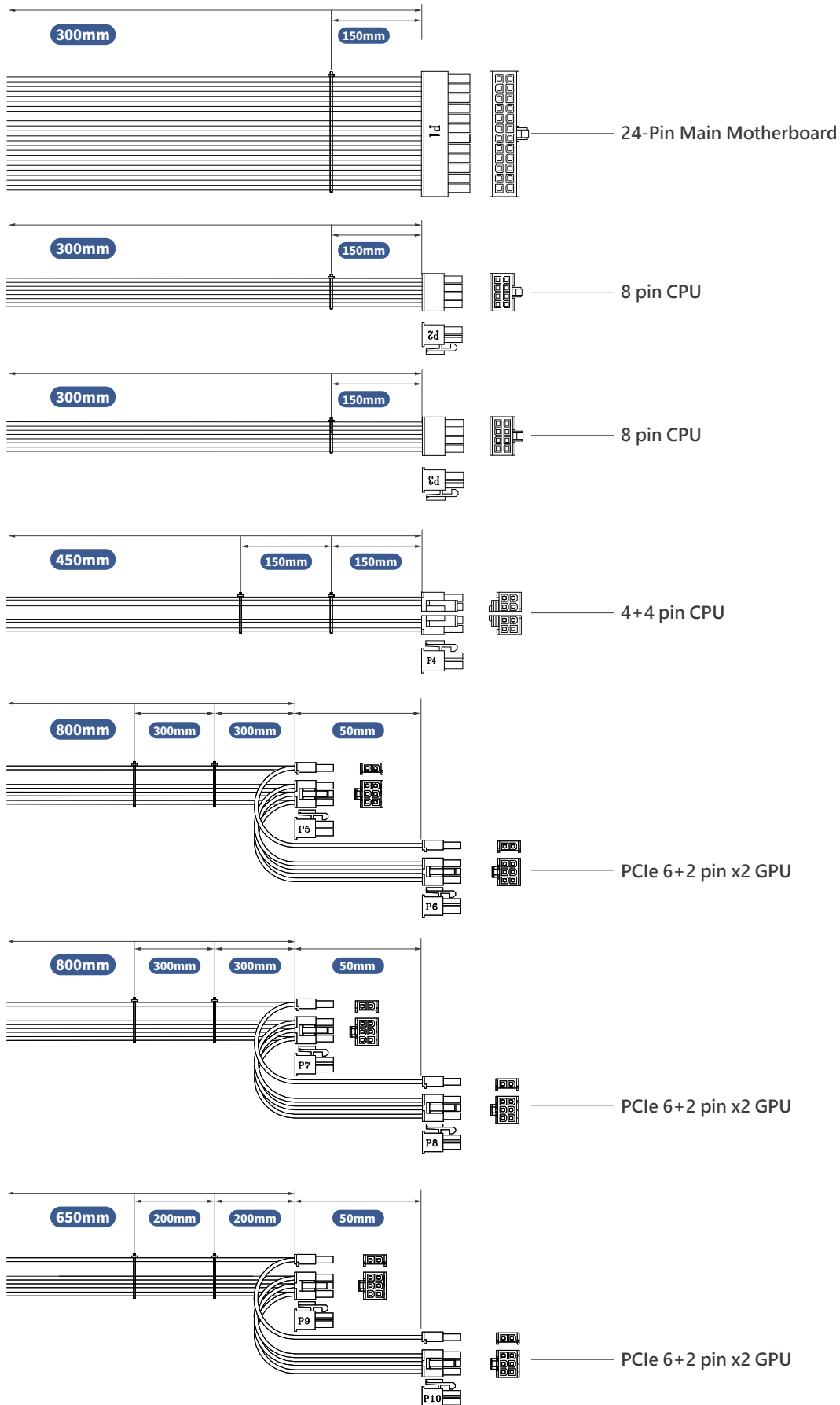
The InWin IW-PL070 is capable of housing CRPS redundant power supplies. With this function, the system may continue to operate if one of the modules fail. To replace it, simply remove the failed module, and then insert a replacement module.

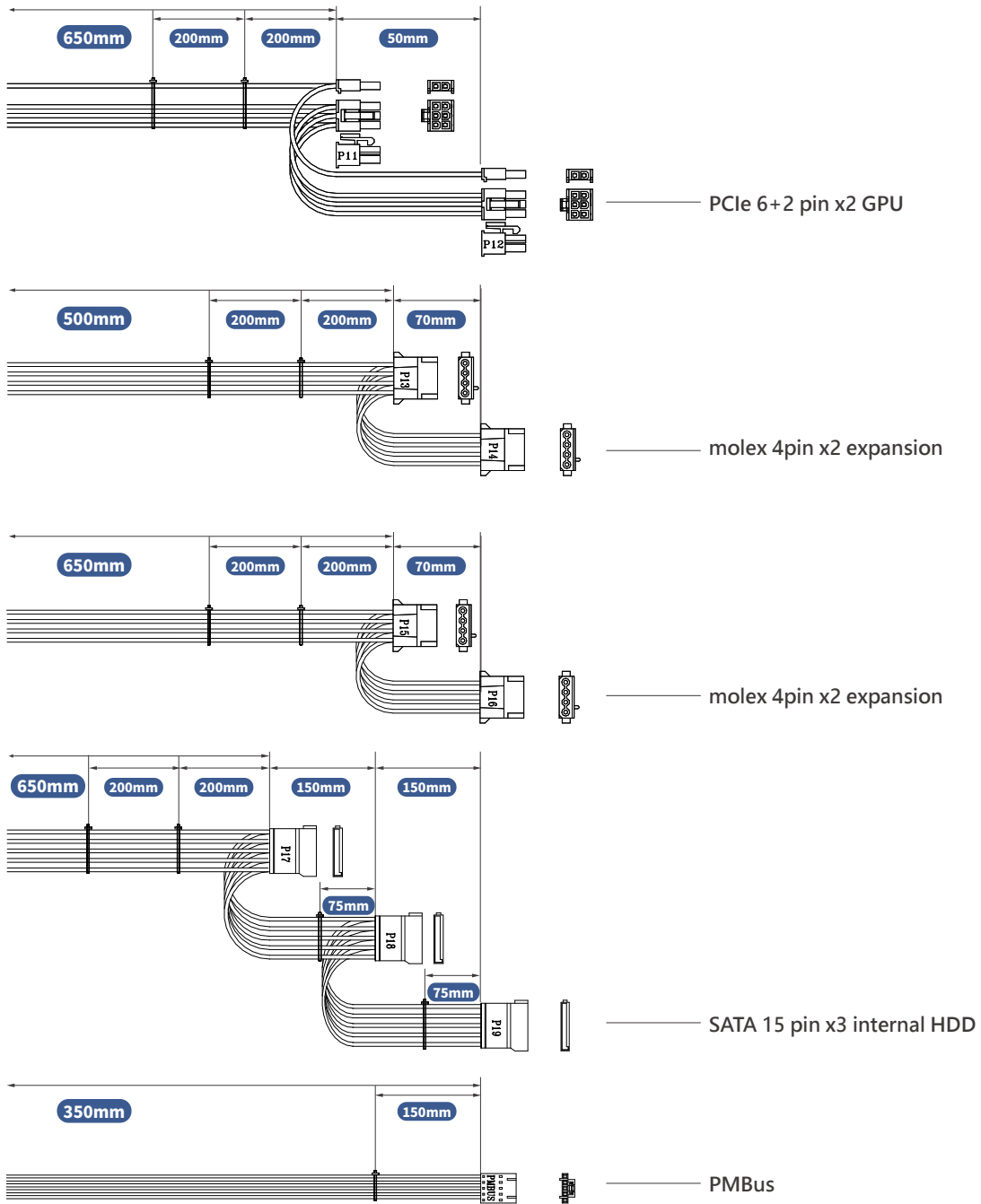
It also supports 80 PLUS, PS2 power supply units. The choice belongs to the user to install their own preferred PSU.

Notice: Precautionary Installation Guide for High-Powered Graphics Cards.

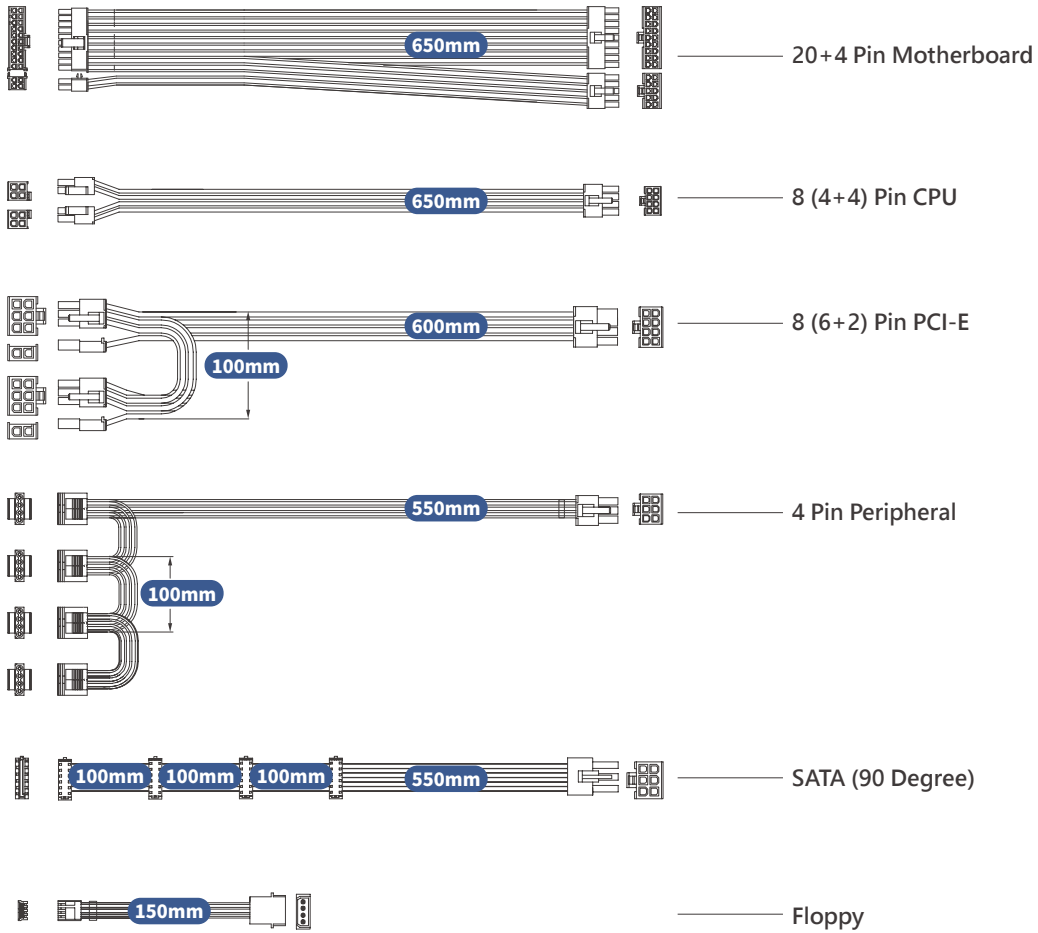
Some graphics cards on the market possess two or three PCIe connectors, and the power of these graphics cards usually exceed 225W (150W from PCIe 8-pin connector + 75W from motherboard PCIe slot). The maximum rated wattage of a single PCIe 8-pin power cable and connector is 150W, therefore, when installing a high-powered graphics card, please make sure to use two or three independent PCIe cables to connect to the high-powered graphics cards.

1600W CRPS Redundant PSU Cable Information

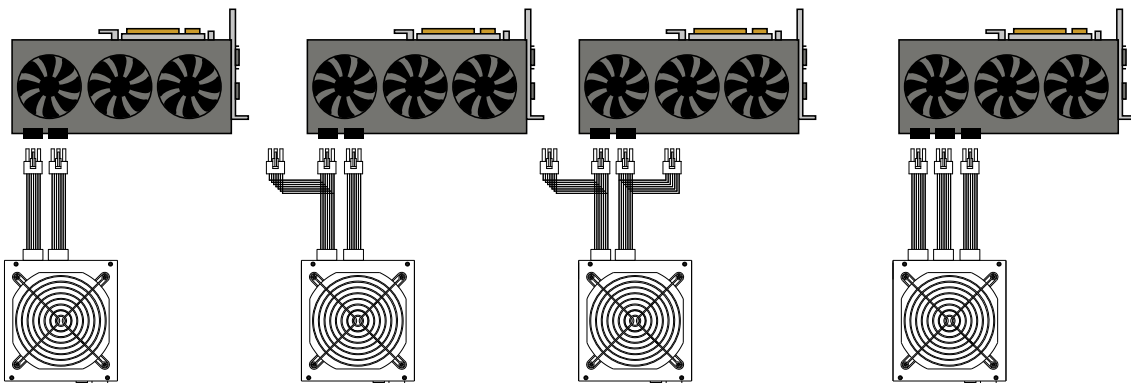




1250W 80 PLUS PS2 PSU Cable Information



Two 8-pin (6+2 pin) required & Three 8-pin (6+2 pin) required



⚙️ Motherboard & Expansion Card Installation

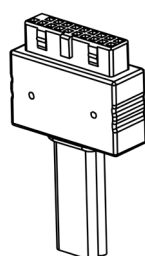
Before installing the motherboard, please find the I/O shield from your motherboard's package and install it into the system I/O rear window. If you cannot find the I/O shield, please check with your motherboard vendor, or contact InWin for I/O shield OEM services.

⚙️ HDD Tray Installation

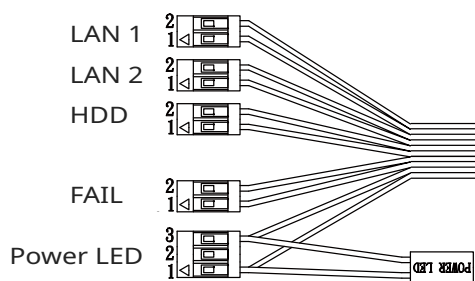
The IW-PL070 hosts up to 9 easy-swap 2.5"/3.5" drives (2.5" x 4 by optional HDD cage is). Mount them with just a few screws. A dummy cover is pre-installed in the optional HDD cage area, which brings better airflow for the chassis. When the 2.5" HDD optional cage is installed, the dummy cover should be removed.

⚙️ Connecting LED Indicators and the Front Panel I/O

When building in the InWin IW-PL070, please refer to your motherboard user guide for pin functions and locations when connecting to the front panel and LED indicators. Once properly connected, the indicator chart below shows what to expect from each LED.



USB 3.0



Power LED

Connector Name	Color	Front I/O Indication
LAN 1 LED	Purple/White	LAN LED
LAN 2 LED	Orange/White	LAN LED
HDD LED	Green/White	HDD Active LED
SYSTEM LED	Blue/White	System Failure LED
Power LED	RED/White	Power ON/OFF Button with LED
USB 3.0 Ports	-	USB 3.0

Compatibility Lists

To reach the best performance and avoid system failure, InWin strongly recommend customers to choose the components from InWin's compatibility list. All the components are tested in InWin's lab, and assured that the components are compatible with InWin's chassis. You can download the latest updated device compatibility list from InWin's website: ipc.in-win.com

Technical Support

If you need help with installation or troubleshooting, you can contact your local InWin reps, or send an e-mail to InWin's local contacts for technical assistance.



INWIN

ipc.in-win.com